

Boiling equipment V 6 M

This boiling equipment, type V 600, consists of:

Mash kettle

Usable capacity	1 425 l
Dimensions	Ø 1 100 mm, height 1 500 mm
Steam bottom area	0,94 m ²
Steam jacketing area	0,36 m ²
Steam valve	ASCOjucomatik DN 15
Steam condensate discharge	DN 15
Four-arm agitator with gearbox	output power 650 Nm, input power 2,2 kW
Lighting	12V 35W
2x Sanitary rotating shower	DN 25
Steamer	DN 100, 3x spraying device
Insulation	40 mm plasticized cotton, external jacketing copper 1 mm
Top cover in copper + steamer imitation DN 200	
Measuring rod with ČMI-cz certification/directive 71/316/EEC	

Filter tank

Usable capacity	628 l
Dimensions	Ø 1 100 mm, height 660 mm
Filtration bottom	6 segments with 12% permeability
Nozzles for rinsing under wire	3 pc
Stirrer	2 arms, 8 blades
Gearbox	640 Nm, input power 2200W
Lighting	12V 35W
Mechanical temperature indicator	0-120°C stainless
2x Sanitary rotating shower	DN 25
Three-way setting valve with sight glass	DN 50
Brewer's grains discharge	420*540
Equipment for automatic grains discharge	
Insulation	40 mm plasticized cotton, external jacketing copper 1 mm
Top cover in copper + steamer imitation DN 200	

Swirl tank

Usable capacity	722 l
Dimensions	Ø 1 100 mm, height 760 mm
Sanitary manhole	430*340 mm
2x Sanitary rotating shower	DN 25
Tangential nozzle	DN 20
Level indicator	DN 20
Fermenting valve	2x DN 25
Insulation	40 mm plasticized cotton, external jacketing copper 1 mm

Piping, armatures

Primary line DN 50, 5x flap valve DN 50

Drain line DN 50, 3x flap valve DN 50
Sanitary line DN 25, 4x valve DN 25
Water supply and additional lines DN 25, 5x valve DN 25
Beer wort filter 2000l/h/DN 80
Mashing /fermentation pump DWO 150 Ebara
 Input power 750W
 H max. 2,2 bar
 pump controlled by frequency converter Fronic 1,5 kW

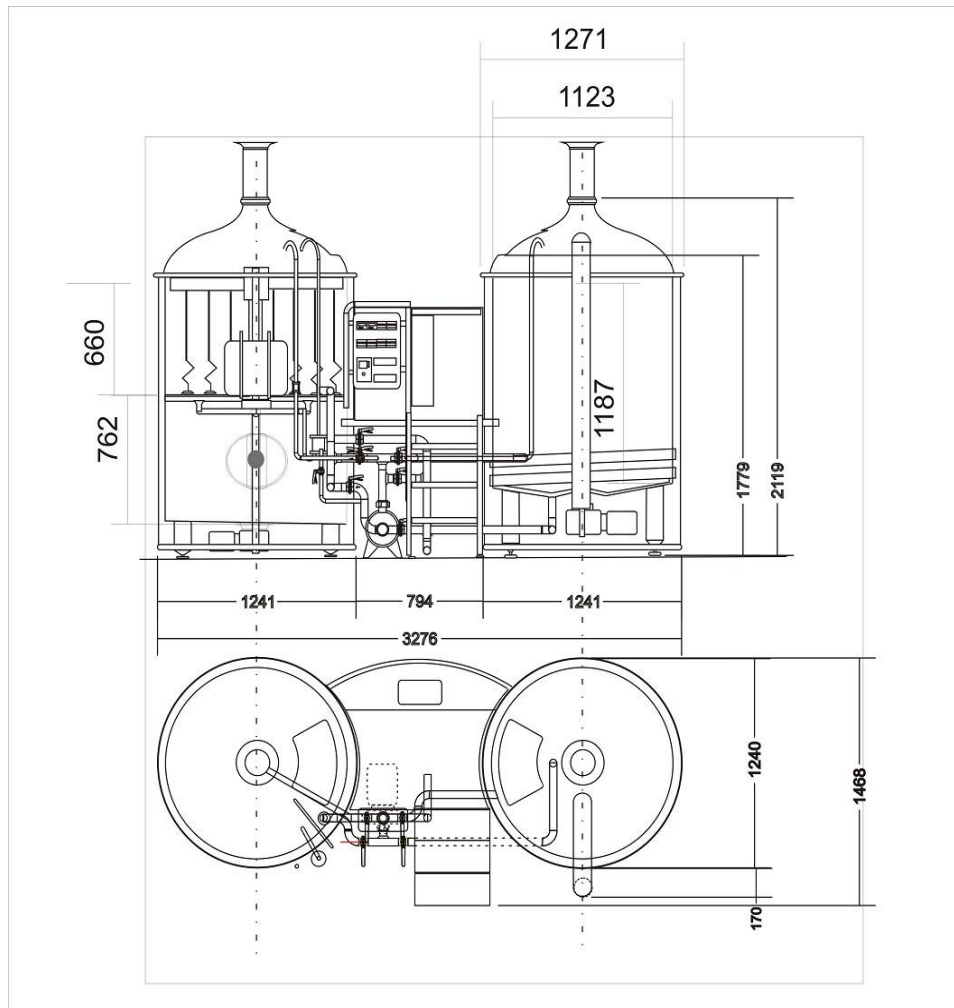
Electric installation

Main switch 3x25A with central stop button
Motor starter 3x2,5-4A
1x Frequency converter Fronic mini 1,5 kW
2x Frequency converter Fronic mini 0,75 kW
Digital temperature regulator of mash kettle Dixel XR20D
Digital regulator of beer wort output temperature Dixel XR20D
Circuit breaker 6A 230V
Circuit breaker 10A 230V
Circuit breaker 4A 230V
Plastic DIN switchboard, 36 modules
Cabling 5*1,5 18 m
 5*2,5 10 m
 3*1 48 m

Description of equipment

Weight 980 kg
Basic size minimum height 2 800 mm
 width 3 800 mm
 depth 2 030 mm





This boiling equipment V600 is mounted in a rigid frame made of 1.4301, 8 pc adjustable supports installed in its bottom part.

Connections:

- Beer wort discharge DN 25
- Cold water supply DN 25
- Hot water supply DN 25
- Drain line DN 50
- Electro 5*2,5 4800 W

Auxiliaries:

- Wash basin with combined lever taps assembly
- Cooling device for samples
- Flow meter DN 25 of water supply
- Water filter
- Combined water taps assembly with digital indication of temperatures
- Steps to service bridge 750*730*585 mm

Transport

This equipment is usually shipped in assembled state with exception for copper covers, steamer for steam condensation, steps of service bridge and electric switchboard.