

## PTVCHD 20

### Description:

This cylindrical vessel is installed on three adjustable feet, with efficient capacity of 2 000 l. This vessel is designed for final fermentation, storage and racking of beer.

### Accessories:

Oval manhole 340*420 mm	1.4301
Sanitary rotating shower with piping DN 25 mm	1.4301
Level indicator DN 15	1.4301
Underpressure/overpressure armature DN 20	1.4301
Supply and discharge flap valve DN 32	1.4301
Duplex jacketing of upper part, clearance 12 mm	1.4301
Duplex jacketing of lower part, clearance 12 mm	1.4301
Insulation polyurethane, clearance 50 mm	
Insulation covered with metal sheets 1 mm thick, ground surface	1.4301
Upstream armature DN 32	1.4301
Electromagnetic valve DN 25 for ice water supply	230V 50 HZ
NTC probe	
Blind flange DN 32, 1 pc	1.4301

### Operating conditions:

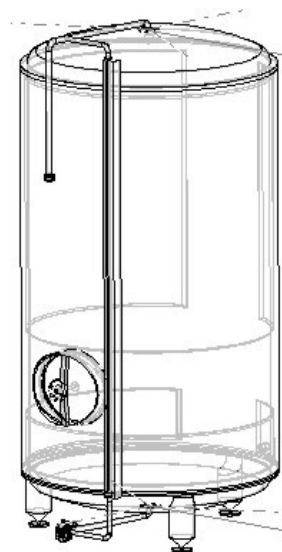
Maximum operating temperature	80°C
Minimum operating temperature	-15°C

### Parameters

Overall height	2 375 mm
Diameter(with insulation)	1 300 mm
Overall capacity	2 255 l
Empty weight	355 kg

### Warranty:

PT tank	36 months
Electromagnetic valve DN 25	24 months
NTC probe	24 months
Upstream armature	36 months



### Transport

This tank is usually shipped in horizontal position, fixed on special framing. Ground-plan frame dimensions: 2200\*1000 mm

### double-acting VALVE DVZ1

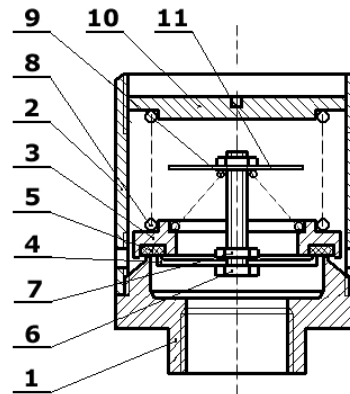
#### 1. UTILISATION

This double-acting valve is intended for utilisation in equipment and spaces working with operating overpressure in order to prevent them against exceeding its permissible limits. Such equipment shall be protected also against possible implosion provided its operating medium is pumped out because it allows air suction inwards.

## 2. ASSEMBLY

This double-acting valve can be installed in any position, however, it is mounted usually in a vertical position on a vessel top part, screwed in its threaded counterpart on the vessel, under use of proper thread type seal, usually with Teflon packing strips.

1. Body
2. Tube
3. Plate
4. Underpressure plate
5. Food seal EPDM
6. Bolt M6
7. Nut M6
8. Overpressure spring
9. Underpressure spring
10. Adjusting bolt
11. Locking washer



## 3. OPERATION

Once in two weeks carry out a functional test of the sealing plate by lifting it with a thin rod, e.g. a screwdriver. Should particular sealing surface be leaky and untight, so it is necessary to dismantle the valve and to overlap affected areas by fine grinding compound No. 600 on even surface (glass).

## 4. WORK SAFETY

Since it is an opened check valve, it is necessary to position it so that its contingent opening and air discharge cannot cause injury of persons. Its distance from attendants should be depending on preset opening overpressure values, anyway at least 1m. We do not recommend installing it at persons head height. Should gases, other than air, be used, it is necessary to insure perfect ventilation of affected spaces.

## 5. WARRANTY CONDITIONS

Manufacturer's warranty lasts for 24 months after date of delivery. This warranty should be claimed in company's headquarters.

